

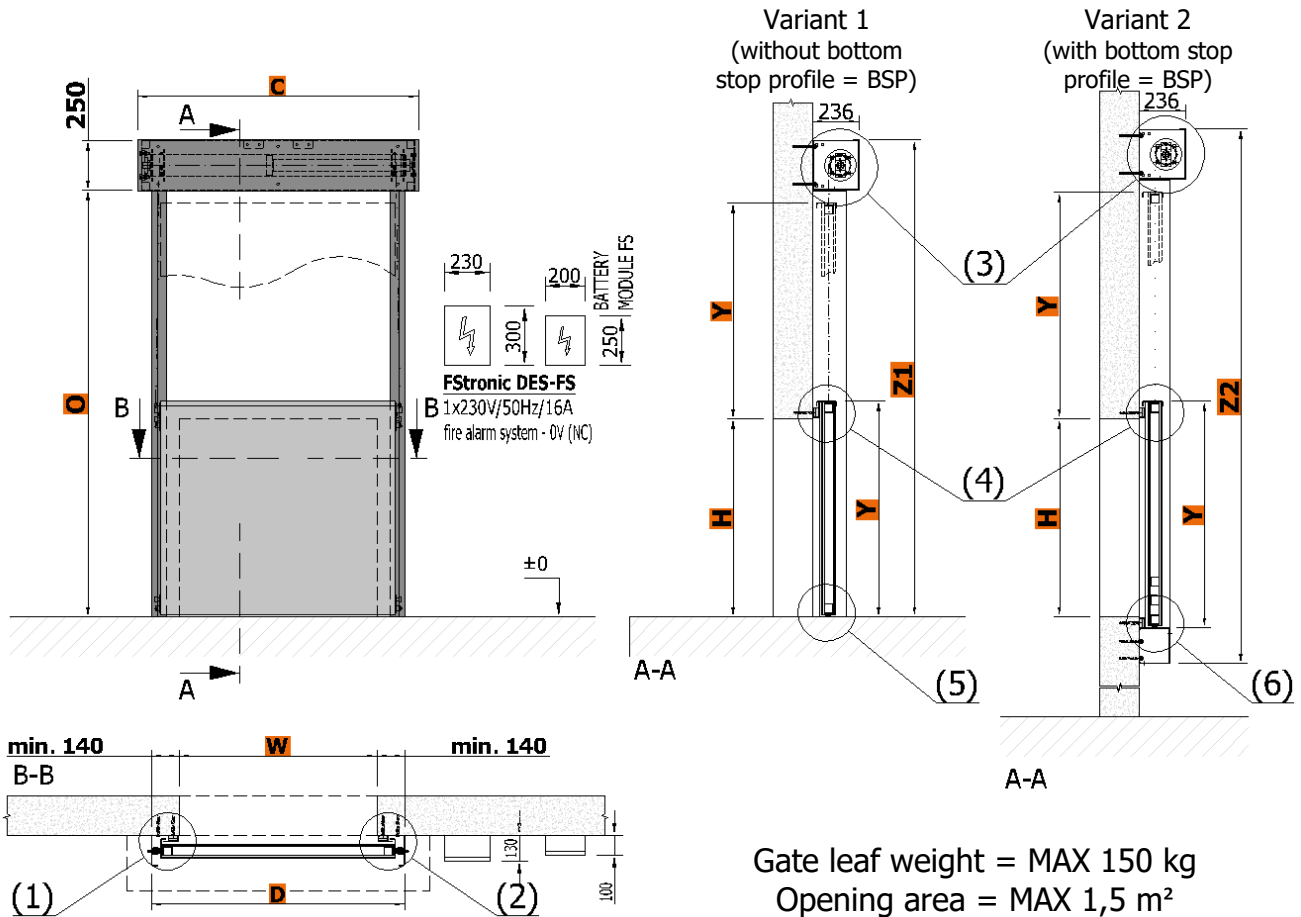


TECHNICAL DATA SHEET VERTICALLY SLIDING FIRE GATES GGG-MINI EI 60

Technical data sheets serve to determine the basic space requirements of vertically sliding fire gates. Other dimensions or atypical demands can be solved upon request.

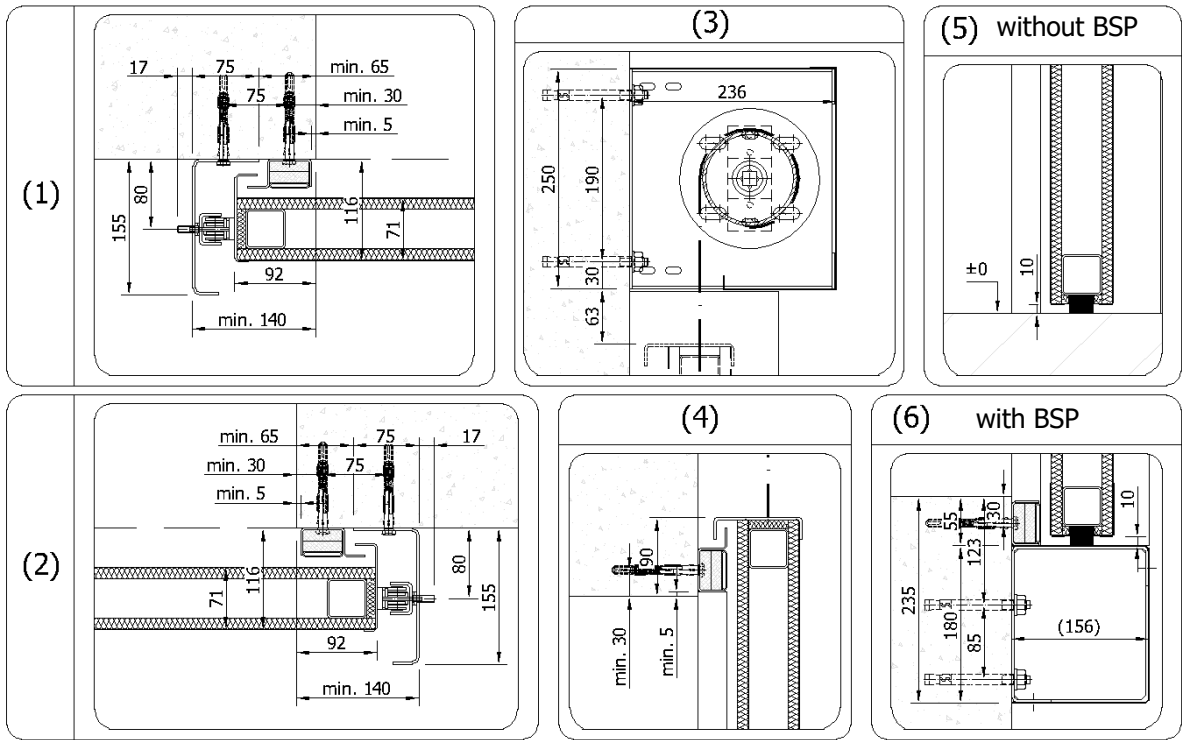
GGG-MINI EI 60

TUBULAR MOTOR

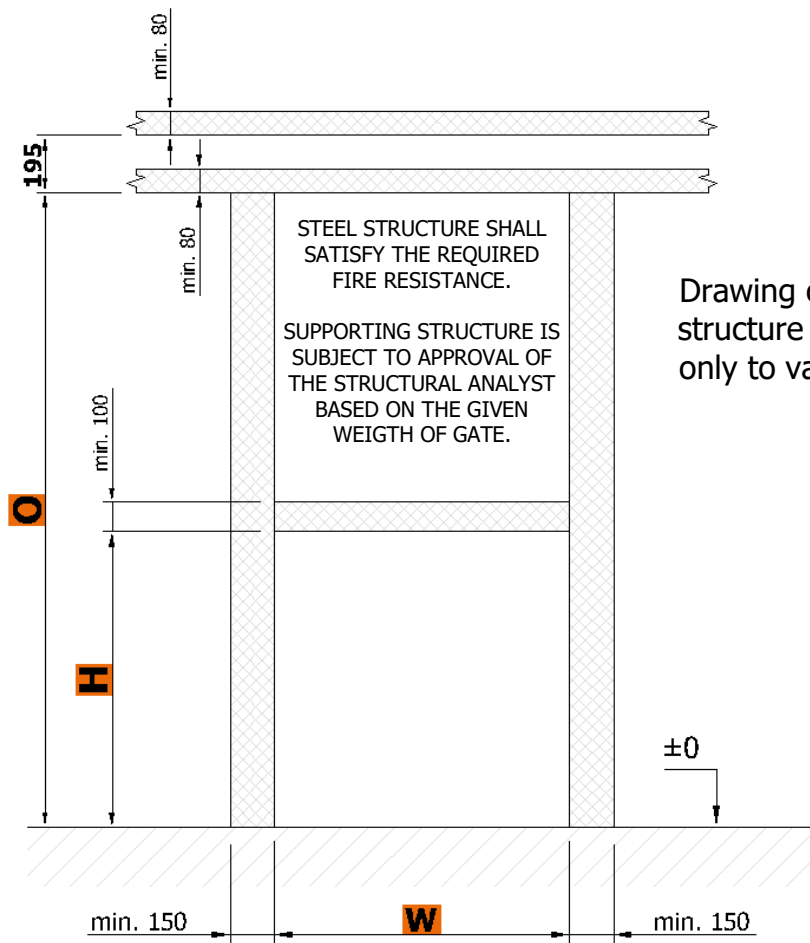


W	opening width	= min. 500 mm; max. 2000 mm
H	opening height	= min. 500 mm; max. 3000 mm
Y	gate range	= H + 90 mm (Variant 2 = + 55 mm)
D	external pitch of guide tracks	= W + 2x min. 140 mm (+ 2x 17 mm bolts)
C	overall width	= W + min. 530 mm
O	bottom edge of motor bracket	= 2x H + min. 150 mm (Variant 2 = + 55 mm)
Z1	overall height Variant 1	= 2x H + min. 400 mm
Z2	overall height Variant 2	= 2x H + min. 635 mm

Average weight of gate leaf m = approx. 100 kg/m²



Minimum required dimensions of steel structure



Drawing of steel structure applies only to variant 1

Construction readiness of the opening is secured by the customer according to the requirements of the contractor and depending on the type of jamb and lintel of the opening.

Anchor profile can be fixed with anchor bolts (concrete, solid brick) or on prepared steel structure with appropriate fire resistance (plasterboard wall, sandwich panels, etc.). It is necessary to keep flatness of the wall and the floor with a deviation of max. 3 mm/m.

Technical changes reserved.